

# VENT PLUG IP55

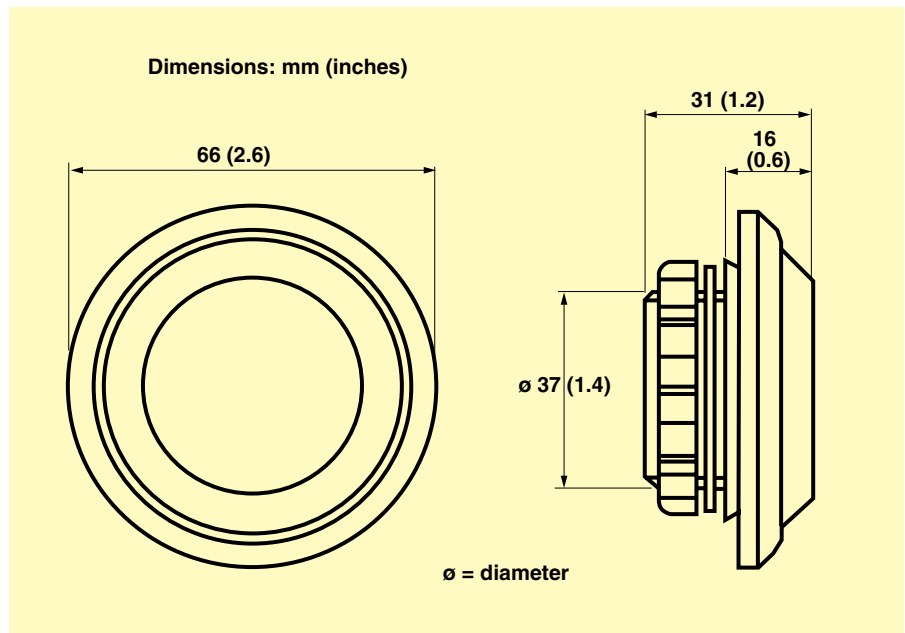
DA08400901



DA08400901  
shown actual size.

- High Degree of Protection
- Easy to Install
- IP55

It has become more and more important to provide a protected enclosure environment for valuable and crucial electrical and electronic components. In a tightly closed enclosure, pressure differentials can occur during extreme temperature variations, such as day/night operation. When this occurs, the risk of dust and humidity being absorbed into the control panel increases dramatically. The specially designed pressure compensation plug DA084 permits a controlled change in pressure. It can be installed easily in any enclosure. Because of the pressure compensation plug's high degree of protection, the protection type of the enclosure will not be affected.



## SPECIFICATIONS

**Mounting:** PG 29 thread with union nut

**Material:** Plastic according to UL94 V-0

**Air Interface:** Approx. 7 cm<sup>2</sup> (2.8 in<sup>2</sup>)

**Dimensions:**  $\varnothing$  66 x 31 mm (2.6 x 1.2")

**Fitting Position:** Variable

**Operating/Storage Temperature:**

-45 to 70°C (-49 to 158°F)

**Installation:** Make cut-out  $\varnothing$  37 + 1 mm (1.5 + 0.03") in enclosure wall and mount pressure compensation device with nut. Please make sure that the sealing gasket is put in place on the outer side panel of the enclosure. For optimal pressure compensation we recommend to use two devices on opposite sides towards the top of the enclosure.

## To Order

| MODEL NO.  | DESCRIPTION           | PROTECTION TYPE | 1 PACKING UNIT | WEIGHT                         |
|------------|-----------------------|-----------------|----------------|--------------------------------|
| DA08400901 | Vent plug with gasket | IP55            | 1 piece        | 62 g (0.14 lb)<br>(31 g/piece) |

*Comes complete with operator's manual.*

**Ordering Example:** DA08400901, vent plug device with gasket.