

MINIATURE TURBINE FLOWMETER

TFMTD

Housing : IP68
 Conformity : CE, RoHS, WEEE

Description

The Trodeks Instruments Flowmeter TFMTD series is designed for measure and monitor liquids. The TFMTD Flowmeter is a general-purpose device; specially for higher throughputs of up to approx.33 l/min. It is employed for measuring, regulating or metering and guarantees most precise measurement of fluid quantities. In addition, a pulse generator integrated into the flowmeter guarantees a practically unlimited useful life.

Technical Data

Wetted part material	: ABS plastic	Max. Rated Current	: 8 mA
Size	: G1/2"	Humidity	: 90 %
Magnets	: Ferrit	Repeatability	: Better than 0,5 %
Working temperature	: -25°C...+100°C	Electrical Connection	: 1m or 3 m cable
Working pressure	: 20 bar max.	Viscosity	: up to 20 cSt max.
Output	: Pulse, ops. Analog	Inlet Diameter	: 8,5 mm
Power Supply	: 4,5...12 VDC	Outlet Diameter	: 12 mm
Accuracy	: % 1	Housing	: IP68

Applications

- Smart Drinking Fountains
- Water Wending Machine
- Tea and Coffee Machine
- Beverage Industry
- Other Liquid Filling Machine
- Water Purifier

Ordering Codes

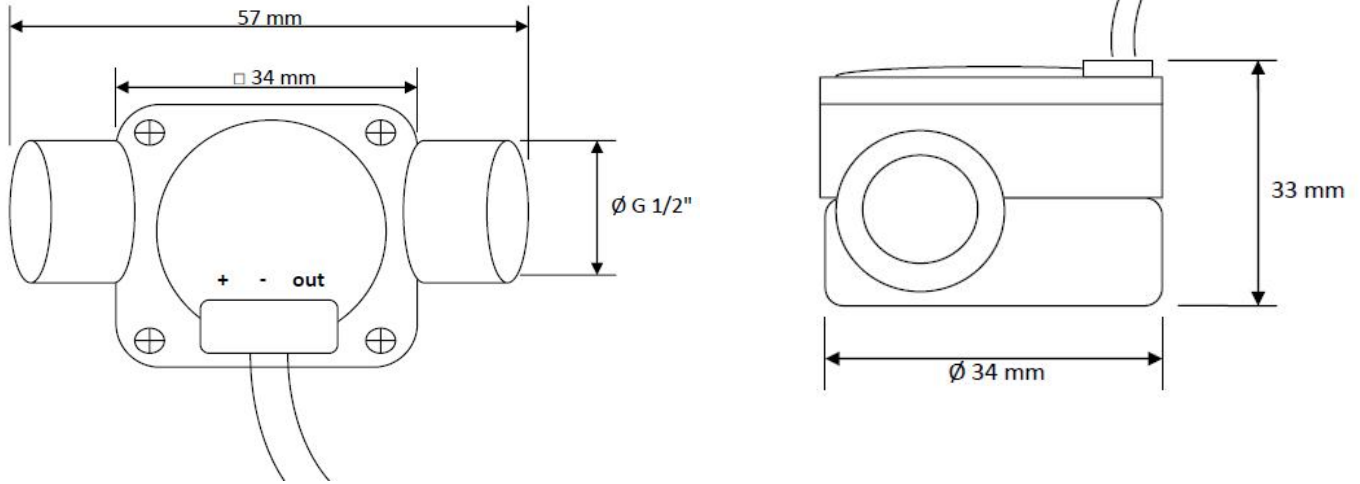
Type	Range	Cable Length	Output	Factor
FMTD-015-01-F	1...33 l/min	1 m.	Pulse	298 pulse/l*
FMTD-015-03-F	1...33 l/min	3 m.	Pulse	298 pulse/l*
FMTD-015-01-A	1...33 l/min	1 m.	Analog	4...20 mA
FMTD-015-03-A	1...33 l/min	3 m.	Analog	4...20 mA

*approx.

Electrical Connection



Dimensions



Accessories



36x72 mm rate or total Flow indicator LED (Panel Mounting)



72x72 mm rate or total Flow indicator LED (Panel Mounting)



72x72 mm rate and total Flow indicator LED (Panel Mounting)



Rate or total Flow indicator LCD (Panel and wall mounting)

